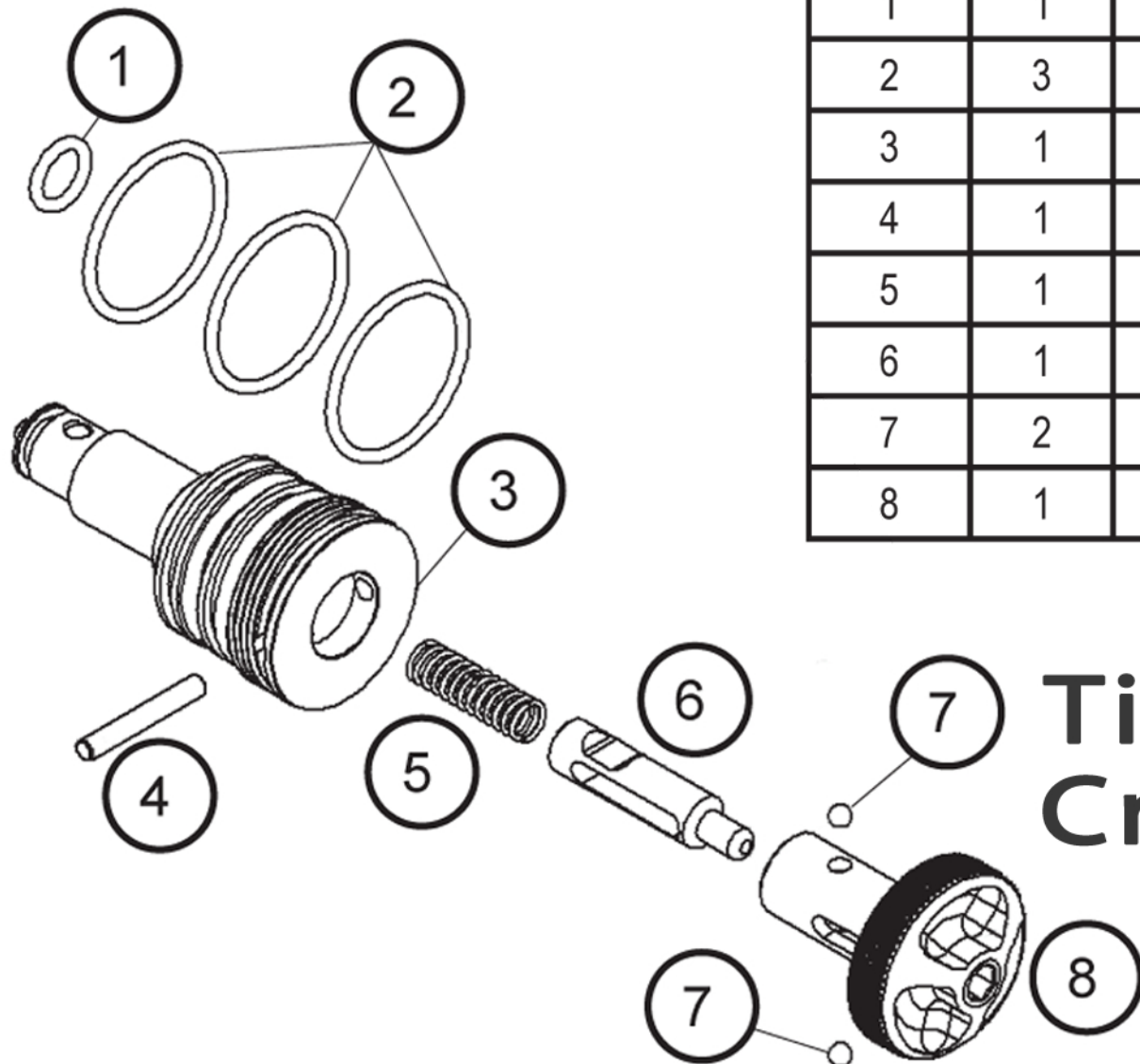


Tool Less Bolt Removal End Cap Assembly TA35146



Item	Qty	Part No.	Description
1	1	TA20003	O-Ring, CU, 70A, 2-010
2	3	TA35016	O-Ring, CU, 70A, 2-021
3	1	TA35141	Tool Less Endcap Base
4	1	TA20063	Pivot Pin
5	1	TA30032	Spring
6	1	TA35148	Tool Less Endcap Plunger
7	2	TA35031	Ball Bearing Plug
8	1	TA35140	Tool Less Endcap Knob

Tippmann Crossover XVR